



HYDRAULIC 2-POST LIFT

# POWER LIFT HF 3S 5000

***SIMPLY FAST. TRIPLE SAFETY.***

WITH PATENTED  
**HyperFlow**<sup>®</sup>  
technology

WITH  
TECHNOLOGY



## THE FAST 2-POST LIFT FOR SMALL, LARGE, LONG, LIGHT AND HEAVY VEHICLES

- ✓ Triple safety: automatic safety lock plus two independent hydraulic circuits
- ✓ Very low maintenance: no synchronization cables, no pulleys, no bleeding
- ✓ Parking position for comfortable working
- ✓ Exceeds the strict specifications of the DIN EN 1493:2010

**5000 KG**

Made  
in  
Germany



HYDRAULIC 2-POST LIFT

# POWER LIFT HF 3S 5000

## Comfort and speed

The POWER LIFT HF 3S features Nussbaum's NT and patented HyperFlow® technology: The exceptionally fast lifting time as well as the low maintenance (no cables, no pulleys) will save you time and money. These technologies also guarantee maximum safety. A top quality lift for a safe and efficient workshop

### Versatile

- ✓ No floor connection
- ✓ No static connection between the columns: Adjustable in width ( $\pm 200$  mm) and height, versatile height extension from +200 up to +900 mm can be provided

### Practical design

- ✓ Precise control with Nussbaum-Commander and lockable main switch. Adjustable lowering speed
- ✓ Oil submerged motor: long lasting and quiet
- ✓ The 4 pulling cylinders are well protected: No risk of damage
- ✓ Compressed air and electric outlet (220V) on the column

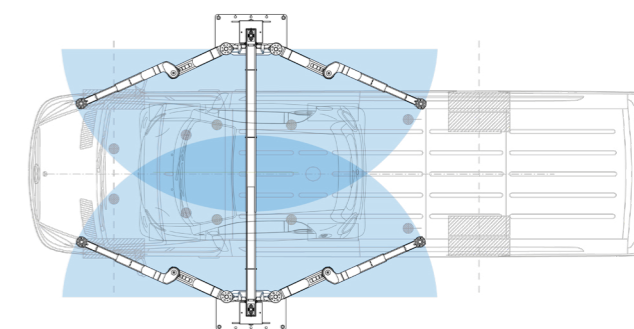
## One version suited to your needs

### Symmetric double-jointed arms (DG)

Symmetric carrying arms with two joints. With the DG arms you will have two lifts in one. The DG design allows to lift any type and size of vehicle, from very small cars to long transporters

### POWER LIFT HF 3S 5000 with DG arms

Covers all vehicles from short wheelbase SMART/BMW Mini to long wheelbase MERCEDES-BENZ Sprinter or VW Crafter

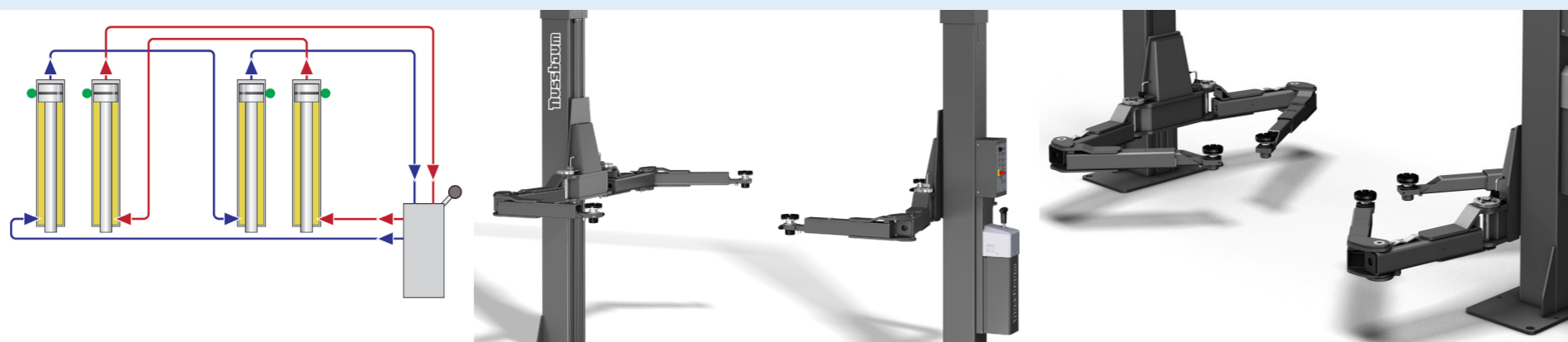


### PRECISE POSITIONING

Smooth operation and variable lowering speed thanks to our Nussbaum-Commander



## POWER LIFT HF 3S 5000: YOUR BEST ALLY TO LIFT A WIDE RANGE OF VEHICLES



NT Technology and HyperFlow®: 4 cylinders, 100% hydraulic with automatic synchronization

Double-jointed (DG) lifting arms

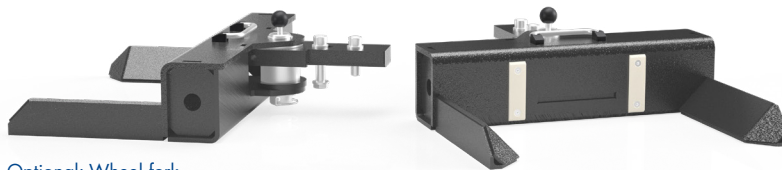
## FAST, FASTER, HF 3S

- **Lifting and lowering time** 31 / 15 seconds
- **Low power consumption**
- **NT technology:** 4 cylinders and 2 independent hydraulic circuits
- **HyperFlow® technology:** Automatic purging of the hydraulic system, automatic synchronization of the arms in the highest position
- **Less moving parts, less maintenance**



## MEASURED FOR SUCCESS

POWER LIFT HF 3S	5000
Lifting capacity (kg)	5000
Lifting/lowering time approx. (sec)	31/15
Lifting height (mm)	2055
Lowest lifting point (mm)	120-195
Total height (mm)	4035
Total height with optional extension (mm)	4035-4935
Total recommended width (mm)	3750
Column distance (mm)	3077
Arm-extraction long (mm)	0-1825
Power supply (V / Hz / A)	400/50/16
Motor (kW)	3

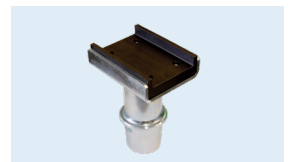


Optional: Wheel fork

### ACCESSORIES



Height adapter round

Adapters for  
MERCEDES Sprinter

Adapter U-form



Lashing straps (2 units)



Drill holder

**More accessories  
available**