



HYDRAULIC 2-POST LIFT

POWER LIFT HL & HDL SST

FOR ALL WEIGHTS AND SIZES

WITH
TECHNOLOGY



A WIDE RANGE OF ADVANTAGES

- ✓ Double-jointed arms for a wide lifting capacity range
- ✓ Security and synchronization with the SST system by Nussbaum
- ✓ No overhead or ground connections on HDL series

6500 KG | 7500 KG | 9000 KG

Made
in
Germany



HYDRAULIC 2-POST LIFT

POWER LIFT HL & HDL SST

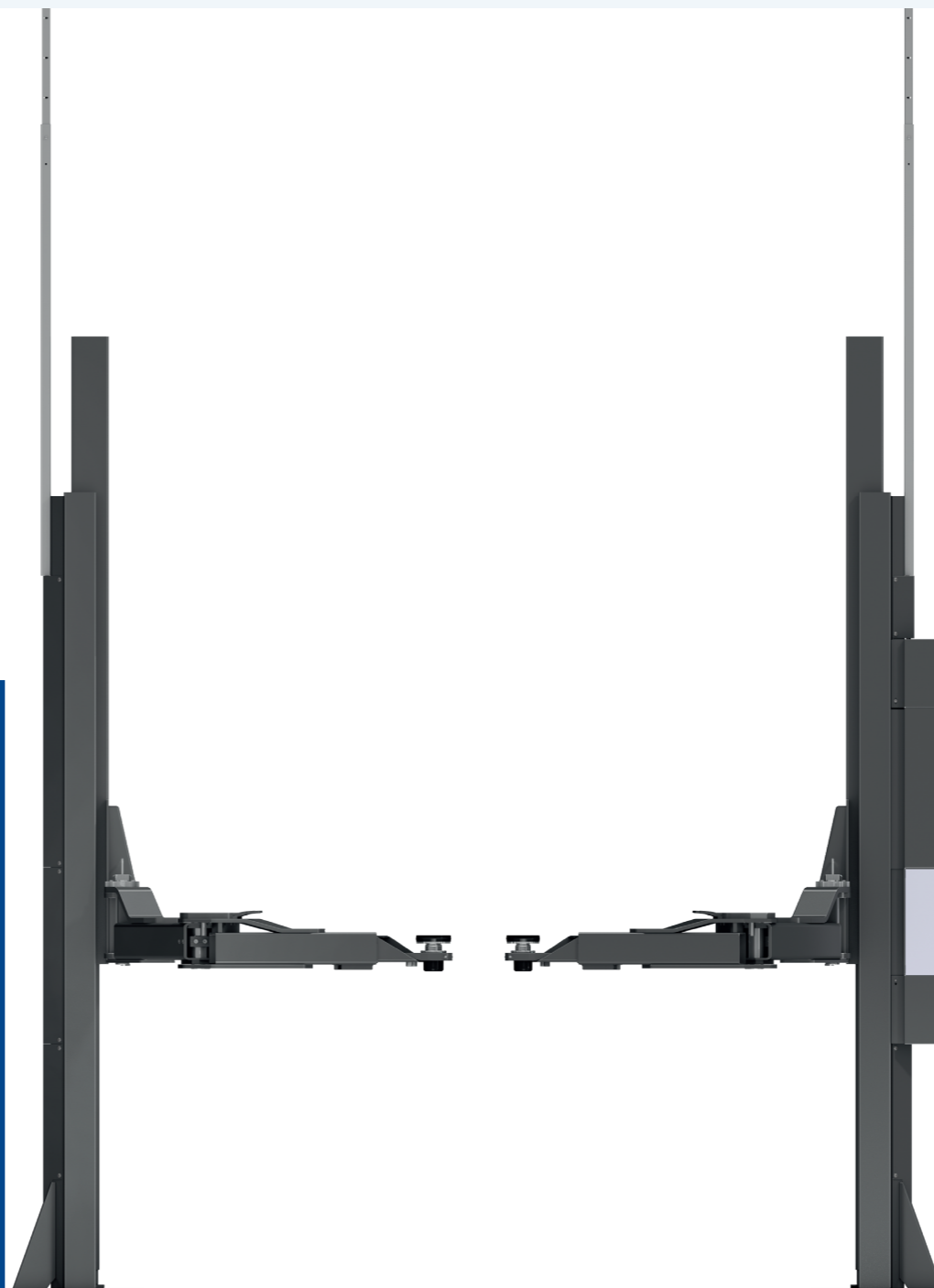
The POWER LIFT HDL SST feature Nussbaum's patented SST technology: SST ensures mechanical safety in any lifting height without the need for a safety lock. With its double-jointed arms and high lifting capacity (from 6,5 to 9 tons), it covers a wide lifting range from small cars to transporters.

Unique construction with double-jointed arms

- ✓ Lifts all vehicles from short wheelbase cars to long wheelbase transporters
- ✓ All required pick-up points from car manufacturers can be reached safely

VERSIONS

- **HL SST capacity 6,5 - 9 tons**
1 power unit
- **HDL SST capacity 6,5 - 9 tons**
 - ✓ 2 power and 2 control units
 - ✓ Double-jointed (DG) arms Roller-bearred for comfortable movement, with pneumatic locking system for optimum safety
- ✓ Optional 2nd control unit available
- ✓ Double-jointed (DG) arms mechanical locking system Roller-bearred for comfortable movement



LOW MAINTENANCE & HIGH SAFETY WITH SST

Low maintenance

Almost wear-free hydraulic cylinders, no synchronization cables and no safety lock needed.

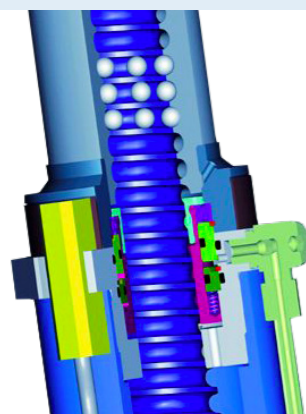
High safety

Electronic synchronization to the tenth of the millimetre.

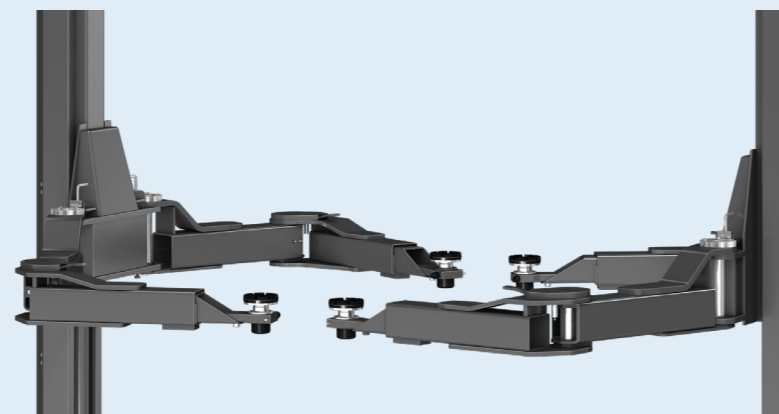
Mechanical locking at every height when the lift stops: A ball bearing lock fits into the cylinder and mechanically locks the lift at every height.



POWER LIFT HL SST & HDL SST: DETAILS THAT MAKE A DIFFERENCE



SST stands for SAFETY STAR TECHNOLOGY, a patented Nussbaum-technology regulating and monitoring the synchronization of both lift columns to the tenth of a millimeter.



Double-jointed arms (DG): flexible and user friendly, reaching 100% of pick-up points. Pneumatic locking system available from 6,5 tons on the HDL series.



The HDL series offers 2 control units, one on each side. Optional on HL series.

YOUR MAIN ADVANTAGES

- Adapted for a wide range of vehicles and jobs
- Comfortable handling and safe locking mechanism of double-jointed arms due to pneumatic support (for HDL series)
- Patented safety with the SST system by Nussbaum



CHOOSE YOUR HL / HDL SST

HL / HDL SST	HL 6500 SST DG	HL 7500 SST DG	HL 9000 SST DG	HDL 6500 SST DG	HDL 7500 SST DG	HDL 9000 SST DG
Lifting capacity (kg)	6500	7500	9000	6500	7500	9000
Lifting / lowering time approx. (sec)	60 / 55	60 / 55	60 / 55	48 / 55	48 / 55	48 / 55
Lifting height (mm)	2101	2111	2111	2127	2127	2127
Lowest lifting point (mm)	121 - 196	131 - 206	131 - 206	147 - 222	147 - 222	147 - 222
Total height (mm)	4530 - 4980	4540 - 4990	4540 - 4990	4540 - 4990	4540 - 4990	4540 - 4990
Total height without crossbar (mm)	-	-	-	4365	4365	4365
Total width (mm)	3570 - 3770	3570 - 3770	3570 - 3770	3570 - 3770	3570 - 3770	3570 - 3770
Drive-through width (mm)	2520 - 2720	2513 - 2713	2513 - 2713	2513 - 2713	2513 - 2713	2513 - 2713
Distance between columns (mm)	2778 - 2978	2765 - 2965	2765 - 2965	2765 - 2965	2765 - 2965	2765 - 2965
Arm extraction (mm) Version DG	0 - 1833	0 - 1833	0 - 1833	0 - 1833	0 - 1833	0 - 1833
Arm lock	mechanical	mechanical	mechanical	pneumatic	pneumatic	pneumatic
Power unit	1	1	1	2	2	2
Power supply (V / Hz / A)	400 / 50 / 16	400 / 50 / 16	400 / 50 / 16	400 / 50 / 32	400 / 50 / 32	400 / 50 / 32
Motor (KW)	3	3	3	2x3	2x3	2x3

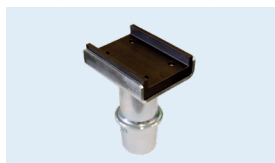
ACCESSORIES



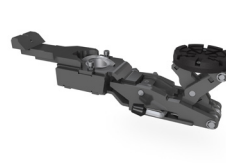
Height adapter round



Adapters for MERCEDES Sprinter



Height adapter U-form



Mini-Max-Adapter



Wheelfork-Adapter

**More accessories
available**

Techn. changes and errors excepted. | Valid from 05 2024 © Nussbaum Automotive Lifts GmbH | Korker Str. 24 | 77694 Kehl | Germany
Tel.: +49 (0) 7853 899 - 0 | Fax: +49 (0) 7853 8787 | info@nussbaumlifts.com | nussbaumlifts.com